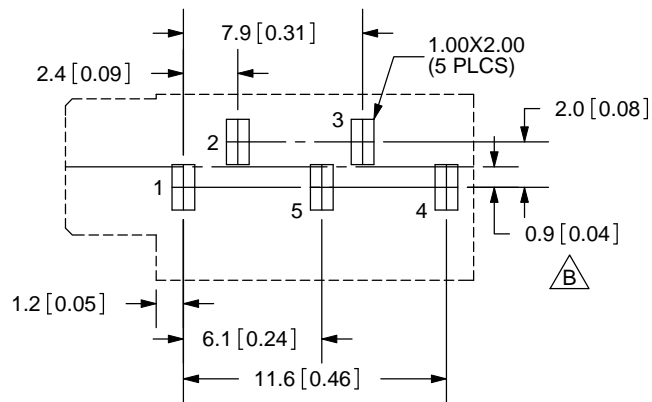
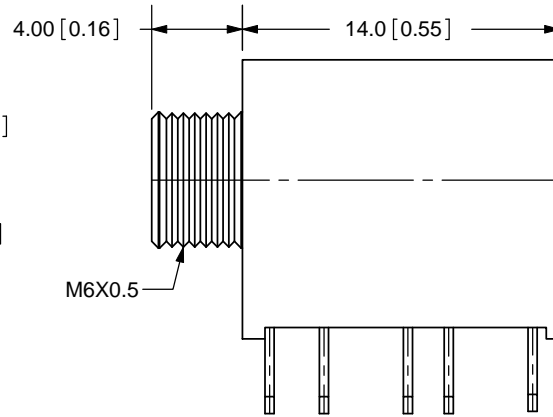
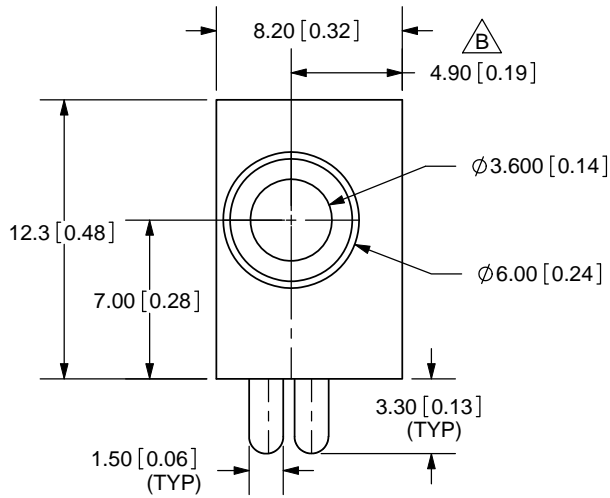
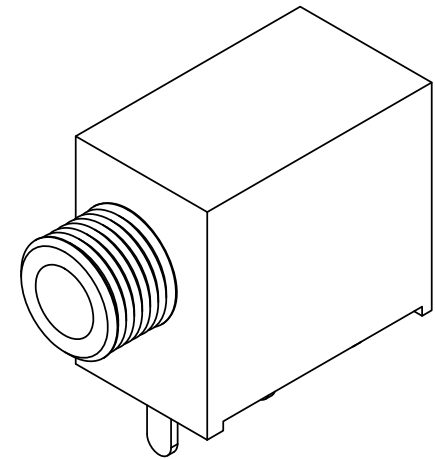
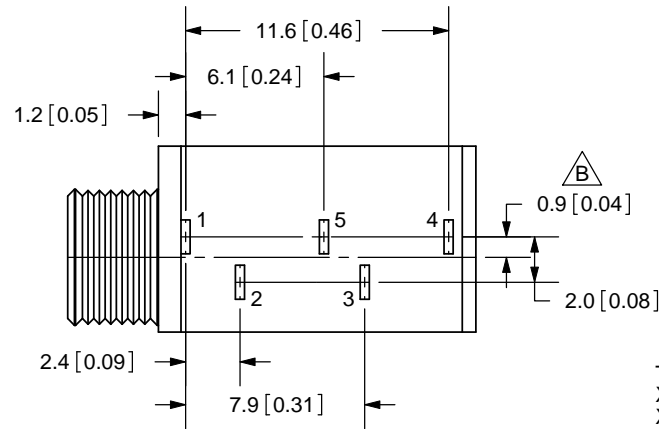


REV.	DESCRIPTION	DATE
A	NEW DRAWING	12/1/2005
B	updated dimensions	10/16/2007



PCB LAYOUT
TOP VIEW



TOLERANCE:
X.X ±0.2mm
X.XX ±0.1mm
X.XXX ±0.05mm



SPECIFICATIONS:
 RATING: 12V DC @ 1A
 CONTACT RESISTANCE: 30m OHMS MAX
 INSULATION RESISTANCE: 50M OHMS MIN: 500V DC
 VOLTAGE WITHSTAND: 500V AC R.M.S. FOR 1 MINUTE
 LIFE: 5,000 CYCLES

MODEL NO.	SJ1-3535
DIA.	THREADED
	M6X0.5
SCHEMATIC	

	MATERIAL	PLATING
TERMINAL 1	Brass	Tin
TERMINAL 2	Brass	Tin
TERMINAL 3	Brass	Tin
TERMINAL 4	Brass	Tin
TERMINAL 5	Brass	Tin
SPRING	Stainless Steel	
BUSHING	Brass	Nickel
HOUSING	PBT	



20050 SW 112th Ave.
 Tualatin, OR 97062
 Phone: 503-612-2300
 800-275-4899
 Fax: 503-612-2383
 Website: www.cui.com

TITLE:	3.5mm RIGHT ANGLE STEREO JACK	REV:	B
PART NO.	SJ1-3535	UNITS:	MM [INCHES]
DRAWN BY:	ZRJ	APPROVED BY:	
		SCALE:	3:1

PC FILE NAME:
SJ1-3535

COPYRIGHT 2007 BY CUI INC.